

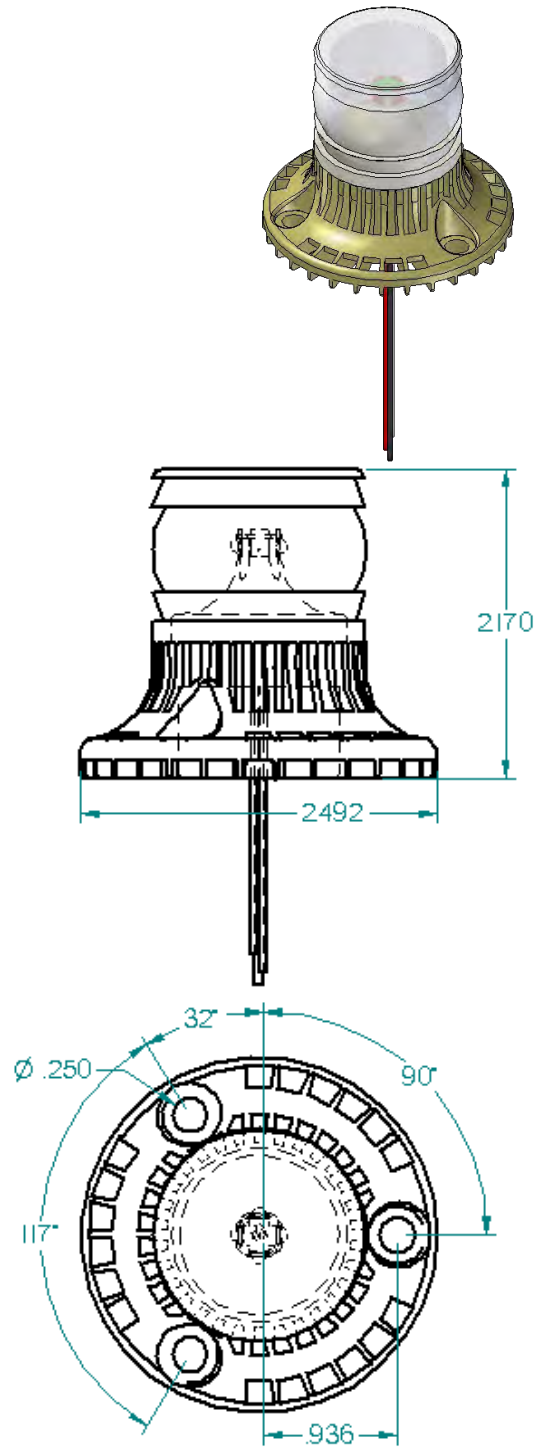
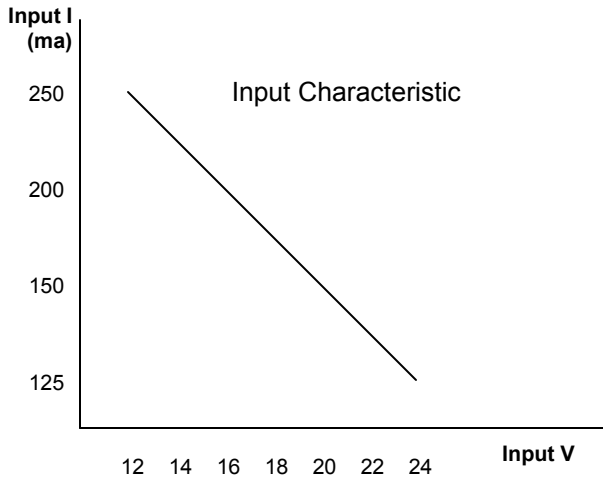


C&C Signal LED Light Model RAY-IRG

Description:

The C&C Signal model RAY-IRG is a high-intensity, high efficiency modular LED light which is intended for permanent installation. The RAY-IRG is available in a variety of colors and light intensities. A constant-power type input is used, so that as the input voltage increases the input current decreases to maintain a constant power level. Steady and flashing modes are selected using an external mode control wire. This housing is also water proof and rated to IP67

Specification	Value	Units
Operating temp,min	-20	°C
Operating temp max	85	°C
Input Voltage	10 to 28	V
Input Power	3.0	W
Wire Length, 18AWG	10	in
Weight	3.5	oz



216 S. Alma School Rd. #8, Mesa, AZ 85210 Phone 480-644-1450
sales@ccsignal.com



C&C Signal LED Light Model RAY-IRG

Installation Procedure:

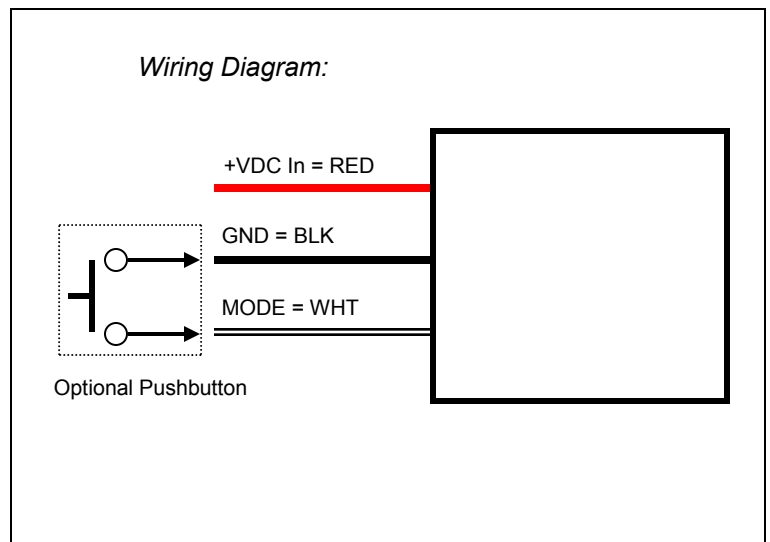
1. Connect the Red and Black wires to a power source.
2. Turn on the power.
3. Verify that the light turns steady
4. Briefly connect the white MODE input wire to GND. The light should change from **steady to flashing**. Note: the MODE input wire is intended to be used with a momentary pushbutton switch which connects the MODE input wire to GND. The pushbutton is not included with this version of the product. The use of the MODE input is optional.
5. This version of the product supports flashing and steady modes. Other modes are available on request.

Usage Notes:

The input is protected against input polarity reversal. If the input polarity is reversed the product will not function but no damage will occur.

If the input voltage falls below 12V the light output will decrease. The output will continue to function at reduced brightness as low as 4V.

The product will function properly up to 28V. Input voltages greater than 28V may cause permanent damage to this product.





C&C Signal LED Light Model RAY-IRG

C&C Signal, LLC

Manufacturer Limited Warranty and Limitation of Liability

Manufacturer warrants that on the date of purchase this product will conform to Manufacturer's specifications for this product (which are available from the Manufacturer upon request), the Manufacturer further warrants that this product is free from defects in materials and workmanship. This Limited Warranty extends **for thirty (30) months** from the date of purchase. Other warranties may apply, call Manufacturer for details. Manufacturer will, at its discretions, repair or replace any product (other than the flashtube) found by the Manufacturer to be defective and subject to this Limited Warranty.

DAMAGE TO PARTS OR PRODUCTS RESULTING FROM TAMPERING, ACCIDENT, ABUSE, MISUSE, NEGLIGENCE, UNAPPROVED MODIFICATIONS, FIRE OR OTHER HAZARD; IMPROPER INSTALLATION OR OPERATION; OR NOT BEING MAINTAINED IN ACCORDANCE WITH THE MAINTENANCE PROCEDURES SET FORTH IN MANUFACTURER'S INSTALLATION AND OPERATING INSTRUCTIONS VOIDS THIS LIMITED WARRANTY.

ORAL STATEMENTS OR REPRESENTATIONS ABOUT THE PRODUCT WHICH MAY HAVE BEEN MADE BY SALESPEOPLE, DEALERS, AGENTS OR OTHER MANUFACTURER'S REPRESENTATIVES DO NOT CONSTITUTE WARRANTIES. THIS LIMITED WARRANTY MAY NOT BE AMENDED, MODIFIED, OR ENLARGED EXCEPT BY A WRITTEN AGREEMENT SIGNED BY AN AUTHORIZED OFFICIAL OF THE MANUFACTURER WHICH EXPRESSLY REFERS TO THIS LIMITED WARRANTY.

Exclusion of Other Warranties:

MANUFACTURER MAKES NO OTHER WARRANTIES, EXPRESS OR IMPLIED. THE IMPLIED WARRANTIES FOR MERCHANTABILITY OR FITNESS FOR A PARTICULAR PURPOSE ARE HEREBY EXCLUDED AND SHALL NOT APPLY TO THE PRODUCT. BUYER'S SOLE AND EXCLUSIVE REMEDY IN CONTRACT, TORT, OR UNDER ANY OTHER THEORY AGAINST MANUFACTURER REGARDING THE PRODUCT AND ITS USE SHALL BE THE REPLACEMENT OR REPAIR OF THE PRODUCT AS DESCRIBED ABOVE.

Limitation of Liability:

IN THE EVENT OF LIABILITY FOR DAMAGES ARISING OUT OF THIS LIMITED WARRANTY OR ANY OTHER CLAIM RELATED TO THE MANUFACTURER'S PRODUCTS, MANUFACTURER'S LIABILITY FOR DAMAGES SHALL BE LIMITED TO THE AMOUNT PAID FOR THE PRODUCT AT THE TIME OF THE ORIGINAL PURCHASE. IN NO EVENT SHALL MANUFACTURER BE LIABLE FOR LOST PROFITS, THE COST OF SUBSTITUTE EQUIPMENT OR LABOR, PROPERTY DAMAGE, OR OTHER SPECIAL, CONSEQUENTIAL, OR INCIDENTAL DAMAGES BASED UPON ANY CLAIM FOR BREACH OF CONTRACT, IMPROPER INSTALLATION, NEGLIGENCE, OR OTHER CLAIM, EVEN IF MANUFACTURER OR A MANUFACTURER'S REPRESENTATIVE HAS BEEN ADVISED OF THE POSSIBILITY OF SUCH DAMAGES. MANUFACTURER SHALL HAVE NO FURTHER OBLIGATION OR LIABILITY WITH RESPECT TO THE PRODUCT OR ITS SALE, OPERATION AND USE, AND MANUFACTURER NEITHER ASSUMES NOR AUTHORIZES THE ASSUMPTION OF ANY OTHER OBLIGATION OR LIABILITY IN CONNECTION WITH SUCH PRODUCT.

This Limited Warranty defines specific legal rights. You may have other legal rights which vary from state to state. Some states do not allow the exclusion or limitation of incidental or consequential damages.

216 S. Alma School Rd. #8, Mesa, AZ 85210 Phone 480-644-1450
sales@ccsignal.com